



4-Star Trailers, Inc.
BASE MODEL:4S6C328

**HEAD TO HEAD
HORSE TRAILER**

Serial No: 30553

Model: PTXG5H337686

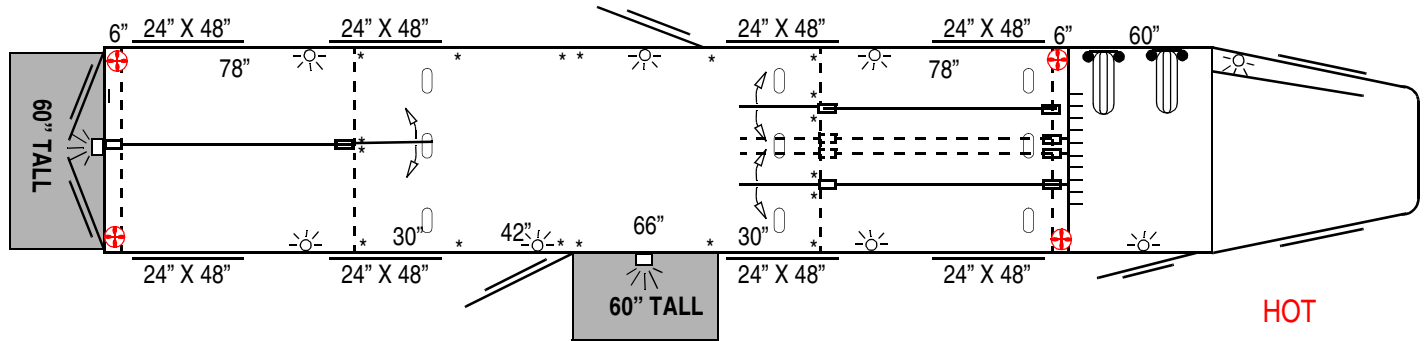
Customer: 4-STAR / INVENTORY

Jig: 4

Date: 4/22/09

LLC

5/21/09



HOT

Width: 8'-6" Length: 33'-0" Height: 7'-6" GVWR - 19,700

1	Coupler Assy: 2 5/16" ADJ		PRINT
2	Drop Leg: SINGLE LEG / SINGLE SPEED		
3	Subframe Assy: BLOCK AXLES 3" AND ADJUST FENDERS	Overhang: 108 1/2"	PRINT
4	Axles: 2-102" Capacity: 8,000 # Type: TORSION Brakes: ELECTRIC Hub: 8-BOLT Mtg. Brkt: 75 3/4"		
5	Tires: 235/85R 16 , 14-PLY		Spare: YES
6	Wheels: 16 X 6. STEEL W/SIMULATORS		
7	GN Floor Assy: .090 SMOOTH		PRINT
8	Floor Assy: SMOOTH RIBBED ALUM -4" I BEAMS ON 8" CENTERS---SEE LINE 40		
9	GN Side Assy: PP WHITE TAPER 12" EACH SIDE W/WINDOWS	C.S.	PRINT
10	Drop Ht: 48 7/8"	S.S.	PRINT
11	Side Assy: CS, PP WHITE @ TOP W/(4) 24" X 48" WINDOWS W/BARS	C.S.	PRINT
12	SS, PP WHITE @ TOP W/(4) 24" X 48" WINDOWS W/BARS	S.S.	PRINT
13	Nose: STAINLESS STEEL W/POLISHED CORNER CAPS		
14	Roof: LINE & INSULATE HORSE COMPARTMENT	Top Rail Lgth= 39' - 11 3/4"	
15	66" Side Ramp: (1) PP WHITE CURBSIDE W/PP WHITE DUTCH DOOR W/WINDOW ABOVE(60" TALL)		PRINT - D/S
16	D/R Door: ONE (1) PP WHITE 36" WIDE CS @ DROP W/WINDOW		D/S
17	Rear Doors: PP WHITE FULL WIDTH RAMP, 60" TALL W/PP WHITE DUTCH DOORS W/WINDOWS ABOVE		PRINT - D/S
18	Dividers (4): REMOVABLE W/SWINGING HD SHIELDS PINNED TO REMOVABLE POST @ FRONT & REAR - SEE 31 & 32		
19	Domelights: (8)		
20	Lights & Wiring: STD, PAIR OF EXTRA HEIGHT TURN SIGNALS, (5) LIGHTS EACH TOP RAIL, (2) HALOGEN		
21	LOAD LIGHTS (1) CS @ RAMP & (1) @ REAR, SEE LINE 45		
22	D.O.T. Tape: YES Custom Tape: NONE		1303001 - 330
23	X Bulkhead Wall: PERM STRAIGHT	X Two-Way Roof Vents (9):	SEE DRAWING ABOVE
24	X Feed Bags (6):	X Floor Mats:	SEE LINE 38 AND 42
25	X Inside Ties, (18):	X Rubber Bulkhead Wall:	
26	X Outside Ties (12): (6) EACH SIDE	X Rubber Side Walls:	& REAR DOORS
27	X Butt Bar (7): FOR (2) & (3) WIDE STALLS	X Rubber Wheel Wells:	SEE LINE 41
28	X Breast Bar (7): FOR (2) & (3) WIDE STALLS	X Carpet - GNF, Drop,	SS WALL IN D/R & BH WALL
29	X Saddle Racks: (6) -SEE LINE 43	X Bridle Hooks (10):	BULKHEAD WALL
30	NO Blanket Bar (1): NONE	X Brush Trays (2):	D/R DOOR
31	OPTIONS: DIVIDERS: ALL DIVIDERS W/E FULL @ BOTTOM DIVIDERS, (2) EXTRA SETTINGS @ FRONT FOR (2) WIDE STALLS, ALL DIVIDERS		
32	WITH SPREAD AIR FLOW		
33	PP WHITE WALK-THRU DOOR W/WINDOW @ SS W/DRESSING ROOM DOOR LATCH AND BUTTERFLY LATCH		
34	(4) ELECTRICAL FANS, ONE EACH CORNER, SEE DRAWING		
35	SEE PAGE 2		

VIN: **4FKPG332590030553** BY: **L.N.** DATE: **4/28/09** CHKD: **L.N.**



4-Star Trailers, Inc.

HEAD TO HEAD
HORSE TRAILER

Serial No: 30553

Model: PTXG5H327686

36	OPTIONS CONTINUED:
37	5' CLOTHES ROD IN DRESSING ROOM @ SS, START @ DROP AND GO FORWARD-SEE DRAWING
38	W.E.R.M. SEALED RUBBER FLOORING IN HORSE COMPARTMENT
39	ALUMINUM BATTERY BOX W/FOLD DOWN LID
40	SLIDEOUT STEP CS @ DRESSING ROOM DOOR
41	TAPER WHEEL WELLS UP SIDES(HIGH)
42	RUBBER MATS ON DRESSING ROOM FLOOR
43	SADDLE RACKS: (6), (3) ON EACH REMOVABLE POST @ SS, DRESSING ROOM
44	
45	LIGHTS & WIRING: PAIR OF TURN SIGNALS INSTALL ON BOTTOM RAIL, BACK UP LIGHTS WIRED TO TRUCK W/7 WAY PLUG & WIRE
46	
47	
48	
49	
50	
51	
52	
53	
54	
55	
56	
57	
58	
59	
60	
61	
62	
63	
64	
65	
66	
67	
68	
69	
70	
71	
72	
73	
74	
75	
76	
77	
78	
79	
80	
81	
82	
83	
84	
85	



4-Star Trailers, Inc.
BASE MODEL:4S6C328

HEAD TO HEAD HORSE TRAILER

Serial No: 30553

Model: PTXG5H337686

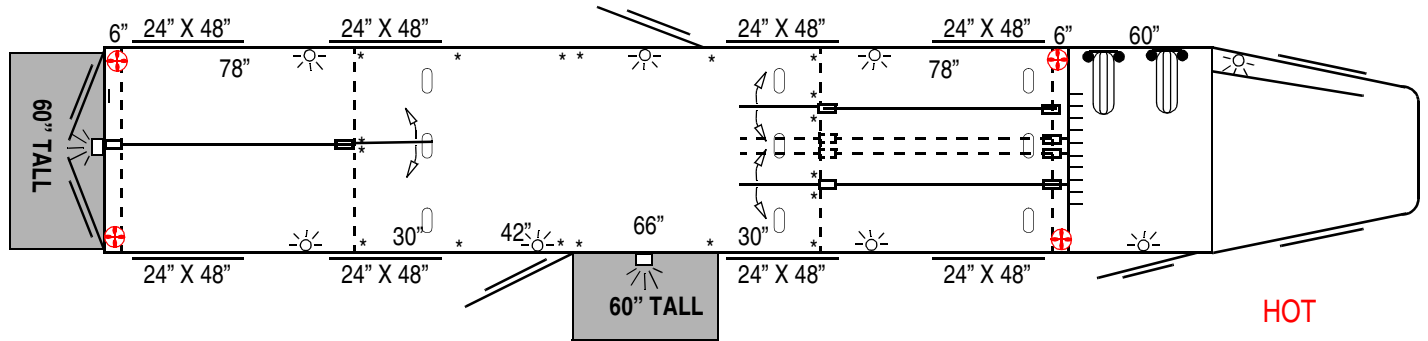
Customer: 4-STAR / INVENTORY

Jig: 4

Date: 4/22/09

LLC

5/21/09



Width: 8'-6" Length: 33'-0" Height: 7'-6" GVWR - 19,700

1	Coupler Assy: 2 5/16" ADJ		PRINT
2	Drop Leg: SINGLE LEG / SINGLE SPEED		
3	Subframe Assy: BLOCK AXLES 3" AND ADJUST FENDERS	Overhang: 108 1/2"	PRINT
4	Axles: 2-102" Capacity: 8,000 # Type: TORSION Brakes: ELECTRIC Hub: 8-BOLT Mtg. Brkt: 75 3/4"		
5	Tires: 235/85R 16 , 14-PLY		Spare: YES
6	Wheels: 16 X 6. STEEL W/SIMULATORS		
7	GN Floor Assy: .090 SMOOTH		PRINT
8	Floor Assy: SMOOTH RIBBED ALUM -4" I BEAMS ON 8" CENTERS---SEE LINE 40		PRINT
9	GN Side Assy: PP WHITE TAPER 12" EACH SIDE W/WINDOWS	C.S.	PRINT
10	Drop Ht: 48 7/8"	S.S.	PRINT
11	Side Assy: CS, PP WHITE @ TOP W/(4) 24" X 48" WINDOWS W/BARS	C.S.	PRINT
12	SS, PP WHITE @ TOP W/(4) 24" X 48" WINDOWS W/BARS	S.S.	PRINT
13	Nose: STAINLESS STEEL W/POLISHED CORNER CAPS		
14	Roof: LINE & INSULATE HORSE COMPARTMENT	Top Rail Lgth= 39' - 11 3/4"	
15	66" Side Ramp: (1) PP WHITE CURBSIDE W/PP WHITE DUTCH DOOR W/WINDOW ABOVE(60" TALL)		PRINT - D/S
16	D/R Door: ONE (1) PP WHITE 36" WIDE CS @ DROP W/WINDOW		D/S
17	Rear Doors: PP WHITE FULL WIDTH RAMP, 60" TALL W/PP WHITE DUTCH DOORS W/WINDOWS ABOVE		PRINT - D/S
18	Dividers (4): REMOVABLE W/SWINGING HD SHIELDS PINNED TO REMOVABLE POST @ FRONT & REAR - SEE 31 & 32		PRINT
19	Domelights: (8)		
20	Lights & Wiring: STD, PAIR OF EXTRA HEIGHT TURN SIGNALS, (5) LIGHTS EACH TOP RAIL, (2) HALOGEN		
21	LOAD LIGHTS (1) CS @ RAMP & (1) @ REAR, SEE LINE 45		
22	D.O.T. Tape: YES	Custom Tape: NONE	1303001 - 330
23	X Bulkhead Wall: PERM STRAIGHT	X Two-Way Roof Vents (9):	SEE DRAWING ABOVE
24	X Feed Bags (6):	X Floor Mats:	SEE LINE 38 AND 42
25	X Inside Ties, (18):	X Rubber Bulkhead Wall:	
26	X Outside Ties (12): (6) EACH SIDE	X Rubber Side Walls:	& REAR DOORS
27	X Butt Bar (7): FOR (2) & (3) WIDE STALLS	X Rubber Wheel Wells:	SEE LINE 41
28	X Breast Bar (7): FOR (2) & (3) WIDE STALLS	X Carpet - GNF, Drop,	SS WALL IN D/R & BH WALL
29	X Saddle Racks: (6) -SEE LINE 43	X Bridle Hooks (10):	BULKHEAD WALL
30	NO Blanket Bar (1): NONE	X Brush Trays (2):	D/R DOOR
31	OPTIONS: DIVIDERS: ALL DIVIDERS W/E FULL @ BOTTOM DIVIDERS, (2) EXTRA SETTINGS @ FRONT FOR (2) WIDE STALLS, ALL DIVIDERS		
32	WITH SPREAD AIR FLOW		
33	PP WHITE WALK-THRU DOOR W/WINDOW @ SS W/DRESSING ROOM DOOR LATCH AND BUTTERFLY LATCH		
34	(4) ELECTRICAL FANS, ONE EACH CORNER, SEE DRAWING		
35	SEE PAGE 2		

VIN: **4FKPG332590030553** BY: **L.N.** DATE: **4/28/09** CHKD: **L.N.**



4-Star Trailers, Inc.

HEAD TO HEAD
HORSE TRAILER

Serial No: 30553

Model: PTXG5H327686

36	OPTIONS CONTINUED:
37	5' CLOTHES ROD IN DRESSING ROOM @ SS, START @ DROP AND GO FORWARD-SEE DRAWING
38	W.E.R.M. SEALED RUBBER FLOORING IN HORSE COMPARTMENT
39	ALUMINUM BATTERY BOX W/FOLD DOWN LID
40	SLIDEOUT STEP CS @ DRESSING ROOM DOOR
41	TAPER WHEEL WELLS UP SIDES(HIGH)
42	RUBBER MATS ON DRESSING ROOM FLOOR
43	SADDLE RACKS: (6), (3) ON EACH REMOVABLE POST @ SS, DRESSING ROOM
44	
45	LIGHTS & WIRING: PAIR OF TURN SIGNALS INSTALL ON BOTTOM RAIL, BACK UP LIGHTS WIRED TO TRUCK W/7 WAY PLUG & WIRE
46	
47	
48	
49	
50	
51	
52	
53	
54	
55	
56	
57	
58	
59	
60	
61	
62	
63	
64	
65	
66	
67	
68	
69	
70	
71	
72	
73	
74	
75	
76	
77	
78	
79	
80	
81	
82	
83	
84	
85	