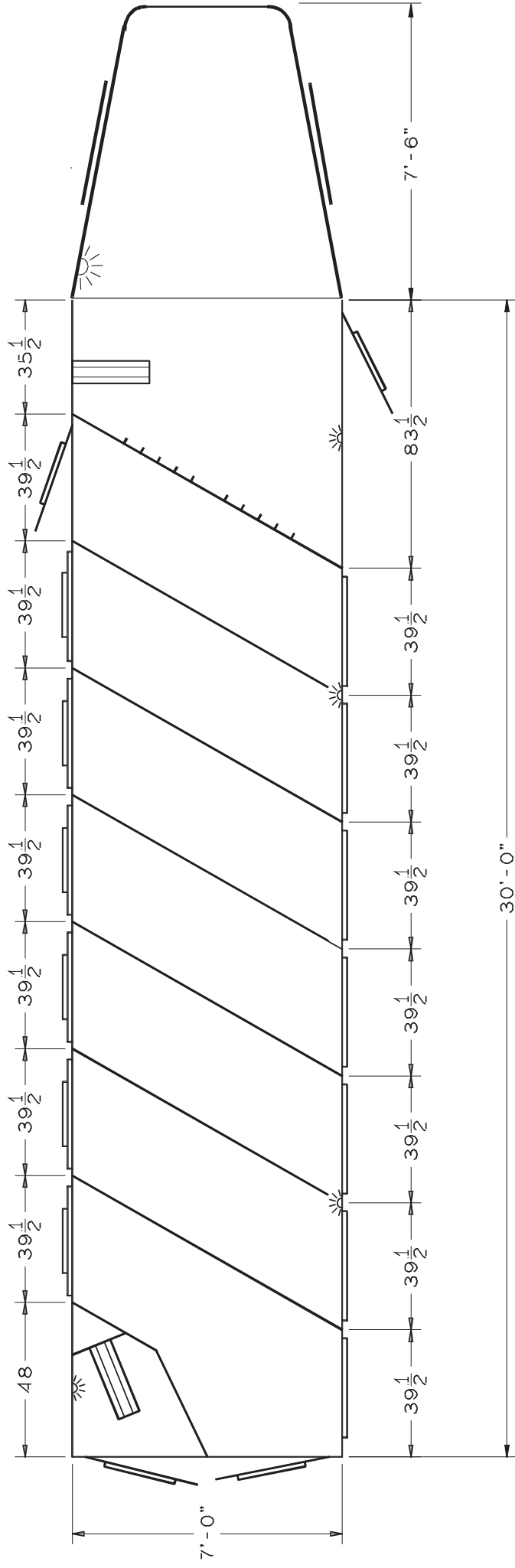




**SLANT LOAD SEVEN, EIGHT & NINE HORSE**  
**GOOSENECK**



**30 X 7 SEVEN HORSE GOOSENECK**