

4-HORSE SLANT LOAD

Bumper Pull



4-Star's slant load horse trailers lead the industry for durability, safety, and ease of use. Meticulous attention to detail during its all aluminum construction means years of reliable, worry free travel. Standard features include removable dividers, collapsible rear tack wall, carpeted dressing room, and ample interior lighting in both the horse compartment and tack rooms. Our base model slant load trailers are equipped for the average rider however, we understand that not everyone is average. Every 4-Star trailer may be customized to suit each individual's personal preference. From graphic packages and custom skin colors to custom stall sizes. From wheels to roof vents, we can build a trailer that is uniquely yours.



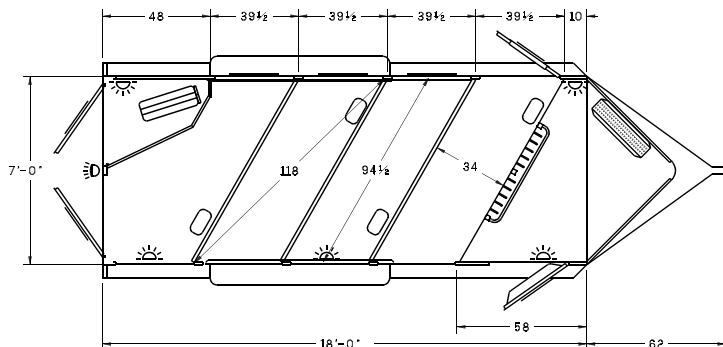
STANDARD FEATURES

- 18'-0" L x 7'-0" H x 7'-0" W
- 2 - 7000# Torsion Axles
- Electric Brakes
- 16" Aluminum Wheels
- 5 Ten Ply Radial Trailer Tires
- 2 5/16" Coupler
- Pad Type Jack
- Polished Cast Corner Cap
- Pre-painted White Exterior On Smooth Aluminum
- Front Dressing Room Approx 30 Sq. Ft.
- Carpet On Dressing Room Floor
- Dressing Room Door W/ Window
- Large Dropdown Feed Doors W/ Drop Down Window Bars
- Slider Window Each Stall On Hip Wall
- Double Rear Doors w/ Windows
- Permanent Bulkhead Wall
- Smooth Ribbed Aluminum Floor
- Floor Mats Full Length Horse Compartment
- Insulated & Double Walled - Head/ Hip of Horse
- Rubber Lined Walls in Horse Compartment
- Rubber Wheel Wells
- 3 - Removable Half Dividers with Pads & Holdback
- Two-Way Roof Vent Per Horse
- 2 Trailer Ties Per Horse - Inside & Outside
- Feed Bag Per Horse
- Butt Bar - Curbside Rear
- Large Walk-Thru Door w/Breast Bar - First Horse
- 5 Dome Lights
- Collapsible Rear Tack w/ Removable Post

- Saddle Rack Per Horse - Removable
- 10 Bridle Hooks
- 2 Brush Trays
- 1 Blanket Bar
- High Turn Signals
- Halogen Load Light
- L.E.D. Lighting
- D.O.T. Tape
- Custom Graphics

POPULAR OPTIONS

- A/C Brace
- Additional Height
- Additional Running Lights
- Drop Down Doors On Hip
- Feed Mangers
- Hayrack
- Lengths Up To 21'
- Outside Loading Lights
- Rear Ramp
- WERM Flooring
- Widths Up To 8'-6"
- Boot Box
- Electric Jack
- Polished Slats, Top Rail, Rear Frame



4-Star Trailers, Inc.
 10,000 N.W. 10th St. Oklahoma City, Ok 73127
 800-848-3095 • www.4startrailers.com
 All dimensions are approximate. Photos may show options.

4-HORSE SLANT LOAD

Bumper Pull

