

# Stock Trailers

## Gooseneck



Our heavy duty stock trailers are built with exclusive features not found on other trailer brands: Non-sagging center gates with self-lubricating hinge bearings, enclosed hollow tube top rail, 3/16" thick, one piece drop plate w/integrated gooseneck gussets, among others, combine to provide you years of trouble free hauling. When you're ready for a seriously rugged trailer, you're ready for a 4-Star Trailer!



All 4-Star Trailers Come With Our

**8 YEAR WARRANTY**

### STANDARD FEATURES

- Two 7000# Torsion 102" Axles w/ Electric Brakes
- Five 10 Ply Radial Trailer Tires
- 16" Steel Wheels
- 8 Bolt Hubs
- 2 5/16" Adjustable Coupler
- Single Drop Leg

- 4" I-Beam Crossmembers on 9 5/8" Centers,
- Tread Plate Floor - Corrugated or Ribbed
- One Dome Light
- High Turn Signals
- L.E.D. Lighting
- D.O.T. Tape

### POPULAR OPTIONS

- Additional Height, Length, Width
- Additional Gates
- Full King Pin Fifth Wheel Coupler
- Air Over Hydraulic Or Electric Over Hydraulic Brakes
- Removable Double Deck w/Roll Up Rear Door
- Triple Axles
- Removable Plexi-Glas® Air Crack Covers
- Commercial Hauler Package



**Standard stock trailers are available in lengths from 16'-0" to 32'-0" in 2'-0" increments and widths of 6'-0", 7'-0", & 8'-0".**

Custom lengths less than 16'-0" and up to 45'-0" may be ordered in 6" increments. Custom widths may also be ordered from 6'-6" to 8'-6"

Optional extra heavy duty Bull Hauler and Commercial packages include 3/16" plate inner fenders, 4" side posts throughout, heavy duty 4" deep cross members on 8" centers among other features important to owner/operators. Bull hauler package includes double walled slats and specially reinforced center and rear gates.

If you have special or unique requirements, our network of knowledgeable dealers will work with you and our staff to configure your trailer the way you want.

We are constantly striving to deliver trailers that meet or exceed our customer's expectations. Many of the standard features of our stock trailers are the result of listening to and incorporating your ideas into our models.

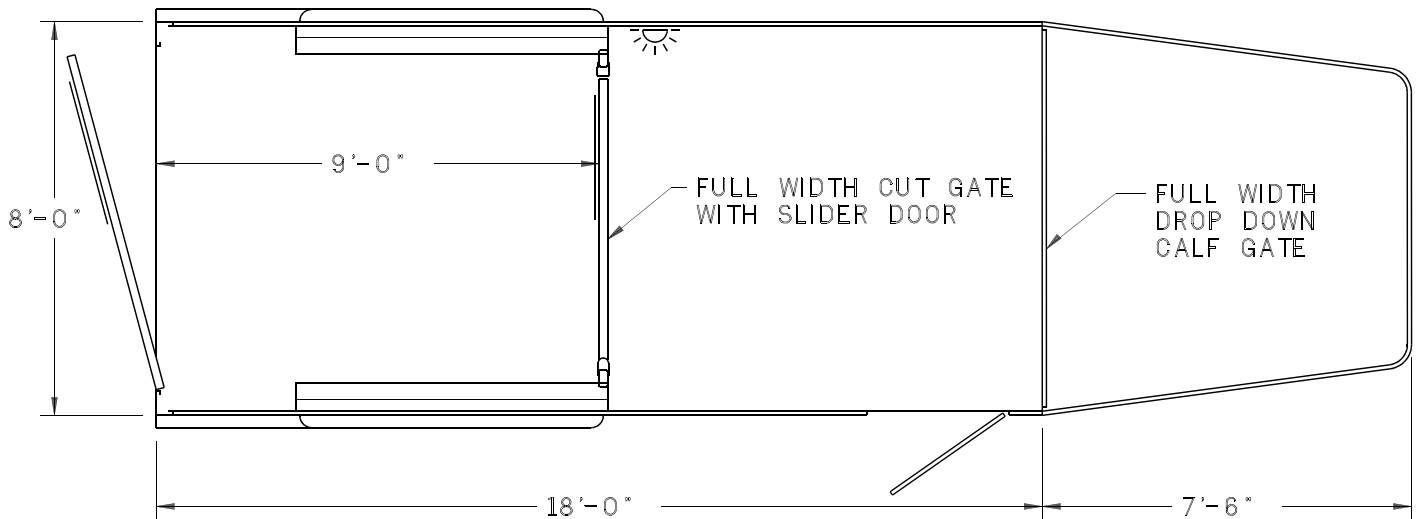
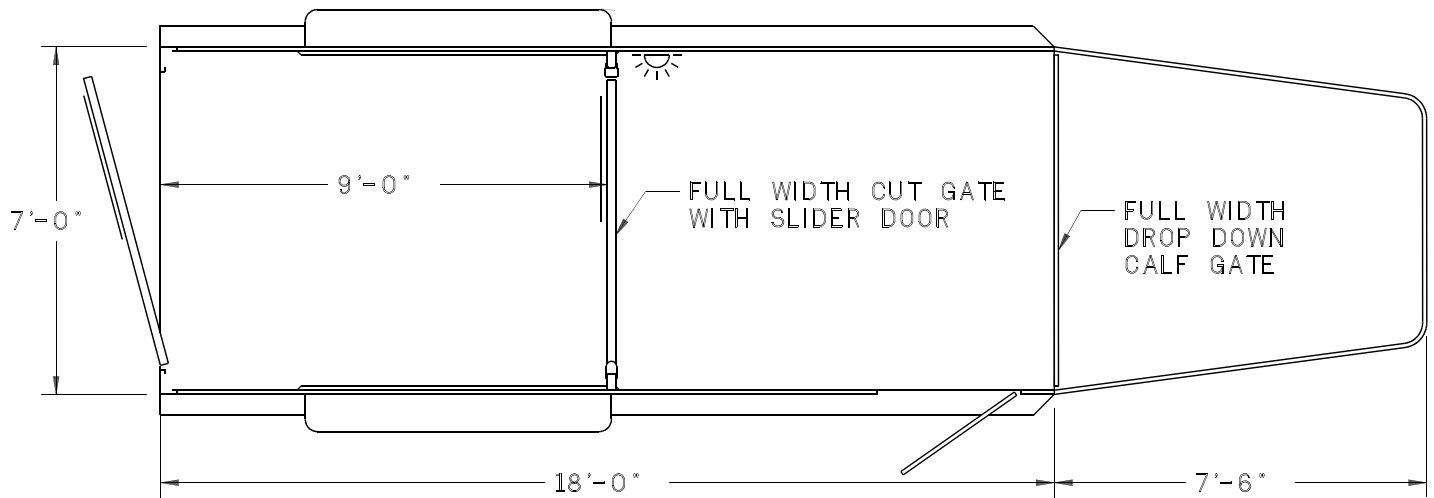
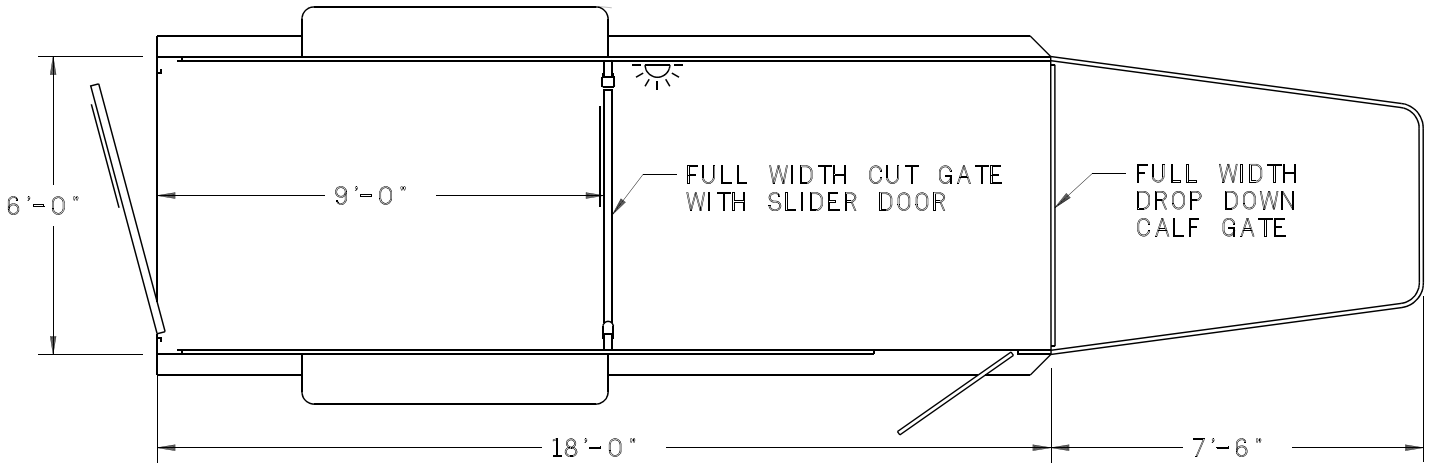
- Removable Jack Handle
- Tapered Gooseneck
- Polished Cast Corner Caps
- Pre-Painted White Exterior on Smooth Aluminum
- Side Door-Curbside-w/ Butterfly Latch
- Single Side Wall Construction w/ 2 Air Cracks
- Slatted Sides w/ Rounded Side Posts
- Full Width Rear Door
- Anti-Rack Hardware on Rear Door
- Rubber Dock Bumper
- Fully Enclosed Tail Light Gusset
- Full Width Drop Partition
- Full Width Center Partition w/ Half Slider And Outside Release Slam Latch†

†Patent No. 8,801,051 B2



# Stock Trailers

Gooseneck



4-Star Trailers, Inc.  
10,000 N.W. 10<sup>th</sup> St. Oklahoma City, Ok 73127  
800-848-3095 • [www.4startrailers.com](http://www.4startrailers.com)  
All dimensions are approximate. Photos may show options.